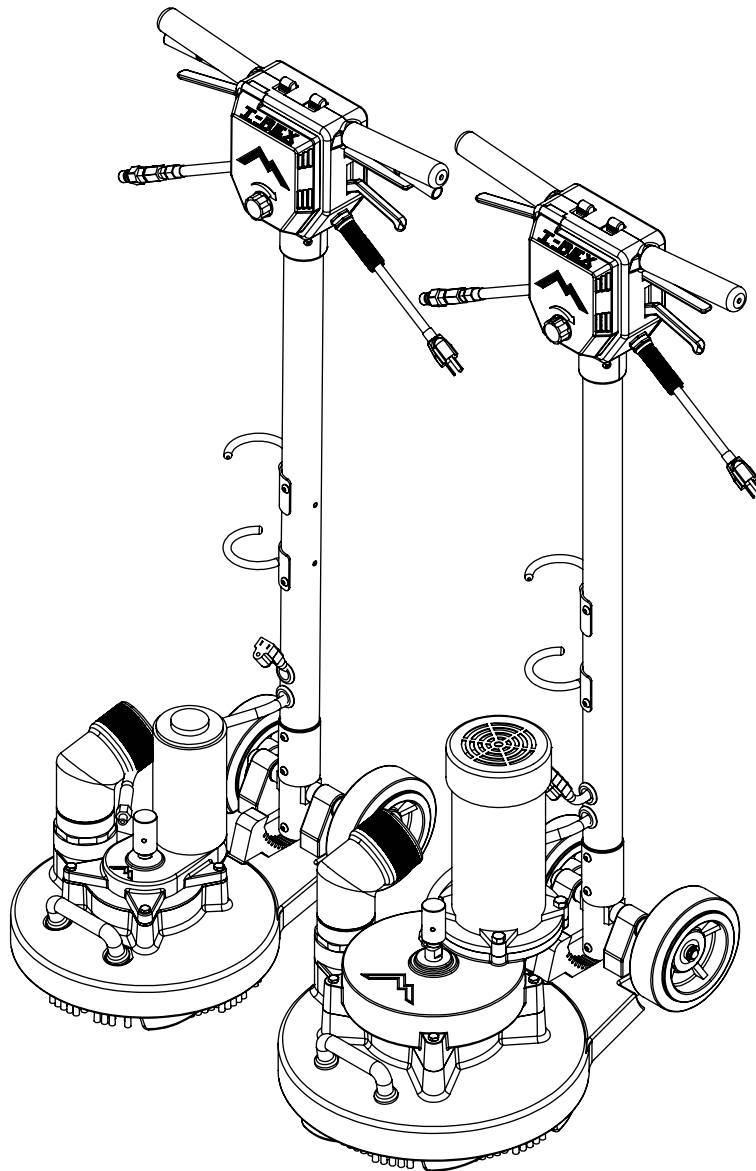


*User Manual*

# T-Rex

**Models:  
T-REX-115, TREX-JR-115**

REV. 1/18/22



13655 Stowe Dr. Poway, CA 92064  
P: (858) 679-1191  
F: (858) 726-6005  
[www.mytee.com](http://www.mytee.com)

***Dear Customer:***

Congratulations on the purchase of your new T-Rex Rotary Extractor. As technology continues to develop you can work confidently knowing that both Mytee and its employees are equally dedicated to developing with the industry and its advances.

Like any other piece of machinery or technology, the T-Rex also requires proper maintenance and care to keep the product working over extended use. Neglecting your machine, abusing it or not operating it properly can void its warranty and prevent the machine from performing to the quality and standard you'd expect out of the Mytee line.

If you have any warranty concerns or questions, please review this manual thoroughly or do not hesitate to contact your distributor. If there are questions regarding maintenance, replacement, or ordering parts please contact an authorized Mytee Service Center. To see an updated list please visit our website at <https://www.mytee.com/support/find-distributors/>.

Before using your Mytee product, please read this manual thoroughly.

*Sincerely,  
Mytee Customer Care Dept.*

	<b>Important Safety Information.....</b>	<b><a href="#">4</a></b>
<b>1</b>	<b>At a Glance .....</b>	<b><a href="#">6</a></b>
	1.1 - Technical Specifications.....	<a href="#">6</a>
	1.2 - Included with the T-Rex .....	<a href="#">6</a>
	1.3 - T-Rex Front View .....	<a href="#">7</a>
<b>2</b>	<b>Machine Operation .....</b>	<b><a href="#">8</a></b>
	2.1 - Powering the T-Rex .....	<a href="#">8</a>
	2.2 - Installing the Cleaning Head .....	<a href="#">8</a>
	2.3 - Connecting the Hoses .....	<a href="#">8</a>
	2.4 - Lowering the Handle .....	<a href="#">8</a>
	2.5 - Switching On the T-Rex .....	<a href="#">8</a>
	2.6 - Cleaning With the T-Rex .....	<a href="#">9</a>
	2.7 - After Cleaning .....	<a href="#">9</a>
<b>3</b>	<b>Machine Maintenance .....</b>	<b><a href="#">10</a></b>
	3.1 - Lubricating the Felt Vacuum Seal .....	<a href="#">10</a>
<b>4</b>	<b>Troubleshooting .....</b>	<b><a href="#">11</a></b>

# Important Safety Information

Please read and understand this manual completely before operating this machine.

## Grounding Instructions

This machine must be grounded. If it should malfunction or break down, grounding provides a path of least resistance for electrical shock. This machine is equipped with a cord having an equipment-grounding conductor and grounding plug. The plug must be plugged into an appropriate outlet that is properly installed in accordance with all local code and ordinances. Do not remove ground pin; if missing, replace plug before use.



### DANGER

Improper installation of the equipment-grounding conductor can result in a risk of electric shock. Be sure to check with a qualified electrician or service person if you are in doubt as to whether the outlet is properly grounded. If the plug will not fit in the outlet do not modify the plug or the machine's cord, instead have a proper outlet installed by a qualified technician.

This machine is for use on a nominal 120-volt circuit and with a grounding plug similar to the one in Figure 1 below. If a proper outlet is not available, follow the illustrations of Figure 2 & 3 to install a temporary-grounding plug. This temporary work-around should be used only until a proper outlet (Figure 1) can be installed by a qualified electrician. When and if this type of adapter is employed, screw the adapter's extended tab into place with a metal screw. However, grounding adapters are not approved for use in Canada.

Again, be sure to check the grounding pin for damages and replace if necessary.

The Green, or Green-Yellow, wire in the cord is the grounding wire. When replacing a plug, this wire must be attached to only the grounding pin.

DO NOT use extension cords.

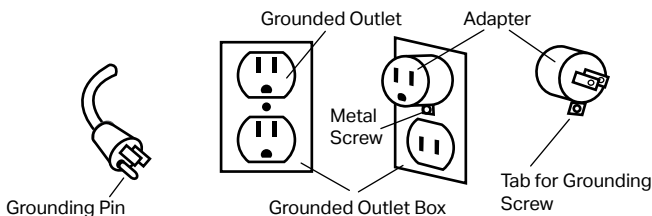


Figure 1

Figure 2

Figure 3

Please Note for America use only.

## Parts and Service

Please contact Mytee service personnel or a Mytee authorized Service Center using Mytee original replacement parts and accessories if repairs need to be performed. When and if calling Mytee for support, please have your Model and Serial Number available for faster assistance.

## Name Plate

The Model and Serial Number are located on the lower half of the back of the machine near the power plug and will be required for ordering replacement parts. You can use the space provided in this manual to note down both for future referencing.

## Unpacking the Machine

When your new machine is delivered, please carefully inspect both the shipping carton and the machine for damages. If damage is evident, save both the shipping carton and machine so that the delivering carrier can inspect it. Contact the carrier immediately to file a freight claim if there has been any damage.

## Caution and Warnings

### Symbols

Mytee uses the symbols below to signal potentially dangerous conditions. Always read this information carefully and take the necessary steps to protect personnel and property.



### DANGER

Is used to warn of immediate hazards that will cause severe personal injury or death.



### WARNING

Is used to call attention to a situation that could cause severe personal injury.



### CAUTION

Is used to call attention to a situation that could cause minor personal injury or damage to the machine or other property. When using an electrical appliance, basic precautions should always be followed, including the following: Read all instructions before using this machine. This product is intended for commercial use only.

**To reduce the risk of fire, electrical shock, or injury:**

1. Read all instructions before using equipment.
2. Use only as described in this manual. Use only manufacturer's recommended attachments.

---

# Important Safety Information

---

- 3.** Always unplug power cord from electrical outlet before attempting any adjustments or repairs.
- 4.** Do not unplug by pulling on cord. To unplug, grasp the plug, not the cord.
- 5.** Do not pull or carry by cord. Do not close a door on cord or pull cord around sharp edges or corners.
- 6.** Do not run appliance over cord. Keep cord away from heated surfaces.
- 7.** Do not use with damaged cord or plug. If cord is damaged, repair immediately.
- 8.** Do not use outdoors or on wet surfaces and/or standing water.
- 9.** Always unplug or disconnect the appliance from power supply when not in use.
- 10.** Do not allow to be used as a toy. Close attention is necessary when used by or near children.
- 11.** Do not use in areas where flammable or combustible material may be present.
- 12.** Do not leave the unit exposed to harsh weather elements. Temperatures below freezing may damage components and void warranty.
- 13.** Use only the appropriate handles to move and lift unit. Do not use any other parts of this machine for this purpose.
- 14.** Keep hair, loose clothing, fingers, and all parts of the body away from all openings and moving parts.
- 15.** Use extra care when using on stairs.
- 16.** To reduce the risk of fire or electric shock, do not use this machine with a solid-state speed control device.
- 17.** The voltage and frequency indicated on the name plate must correspond to the wall receptacle supply voltage.
- 18.** When cleaning and servicing the machine, local or national regulations may apply to the safe disposal of liquids which may contain: chemicals, grease, oil, acid, alkalines, or other dangerous liquids.
- 19.** Do not leave operating unattended.

# 1 - At a Glance

## 1.1 - Technical Specifications

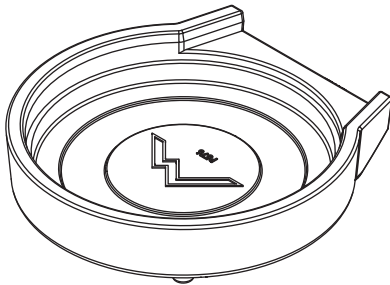
### 15" T-Rex

<b>Cleaning Path</b>	15"
<b>Jets</b>	6x .01
<b>Vacuum</b>	6x Positive Ventilation™ vacuum slots
<b>Speed</b>	Adjustable 60-160 RPM
<b>Motor</b>	1 horsepower
<b>Power Cord</b>	Single 25' 16/3 extension cord
<b>Amp Draw</b>	8 amps @ 115V 60Hz 4 amps @ 230V 50Hz
<b>Product Weight</b>	84 lbs.
<b>Product Dimensions</b>	28" x 18.5" x 39"

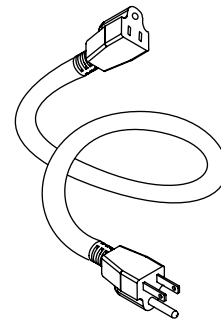
### 12" T-Rex Jr.

<b>Cleaning Path</b>	12"
<b>Jets</b>	4x .01
<b>Vacuum</b>	4x Positive Ventilation™ vacuum slots
<b>Speed</b>	Adjustable 80-180 RPM
<b>Motor</b>	0.5 horsepower
<b>Power Cord</b>	Single 25' 16/3 extension cord
<b>Amp Draw</b>	3.8 amps @ 115V 60Hz 1.9 amps @ 230V 50Hz
<b>Product Weight</b>	53 lbs.
<b>Product Dimensions</b>	21" x 12.5" x 44"

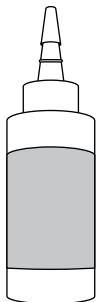
## 1.2 - Included with the T-Rex



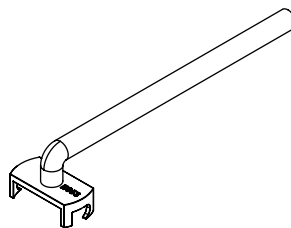
**Protective Head Cover**  
part # P576 for 15"  
part # P576A for 12"



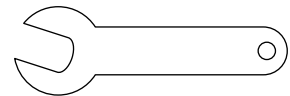
**25' Extension Cord**  
part # E617A



**Lubricant**  
part # PH648

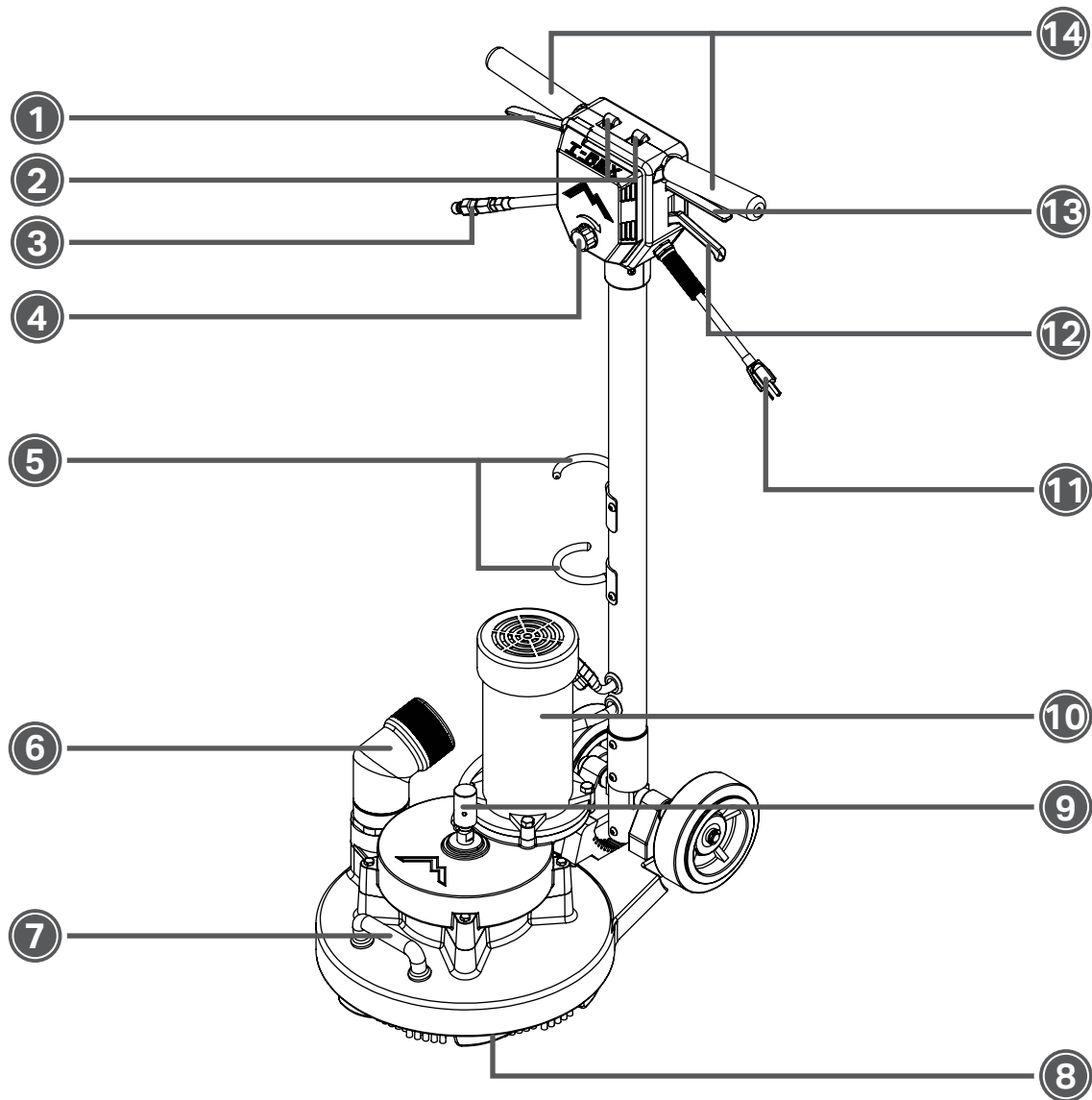


**Head Remover Tool**  
part # H053



**5/8" Flat Wrench**  
part # H051

## 1.3 - T-Rex Front View



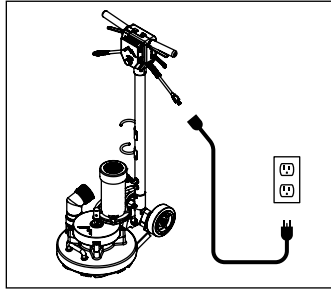
1. Solution spray lever
2. Safety lockout switch
3. Solution hose quick disconnect fitting
4. Motor speed control knob
5. Hose restraint hooks
6. Clear sight elbow with Cuff-Lynx™ connection
7. Front lift handle

8. Cleaning head
9. Rotary union
10. Motor
11. Power cord pigtail
12. Handle height adjustment lever
13. Power switch lever
14. Handlebars

## 2 - Machine Operation

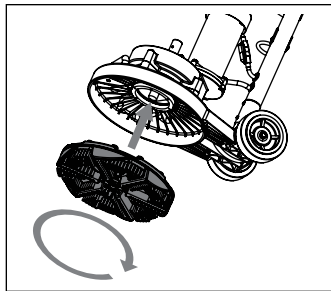
### 2.1 - Powering the T-Rex

Plug the female end of the extension cord into the pigtail on the T-Rex. Next plug the male end of the extension cord into a standard, grounded outlet. The plugs will light up when powered correctly. ♦



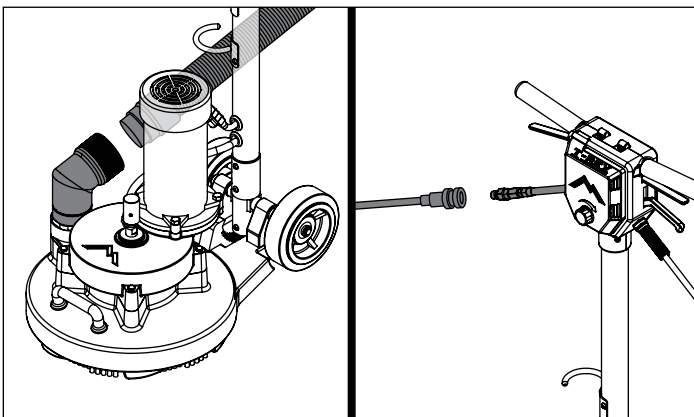
### 2.2 - Installing the Cleaning Head

Lay the T-Rex back onto the handle. Take the cleaning head and place it into the T-Rex housing, lining up the female threaded shaft on the head with the male threaded shaft on the T-Rex. Spin the head clockwise until it stops.



To remove the head, use the included head removal wrench and place it so it hooks onto the spray bars. Then, give it a sharp turn counter-clockwise to break it loose. Spin the head off the rest of the way by hand. ♦

### 2.3 - Connecting the Hoses

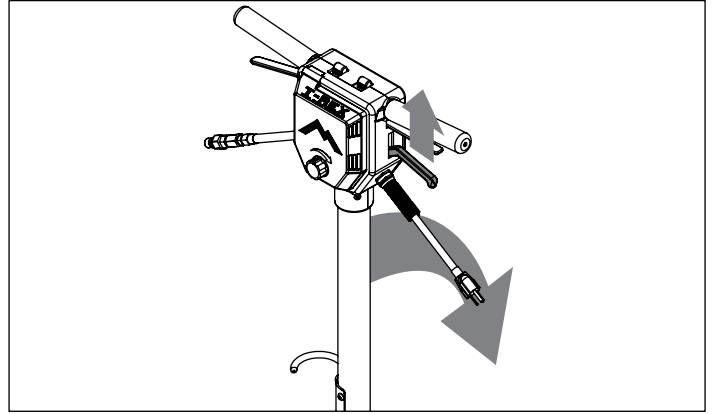


Connect a vacuum hose via 2" Cuff-Lynx™ to the clear plastic elbow. Insert the male end of the Cuff-Lynx™ and turn clockwise until it stops to secure.

Connect the female end of a solution line to the male

quick disconnect fitting coming from the handle. ♦

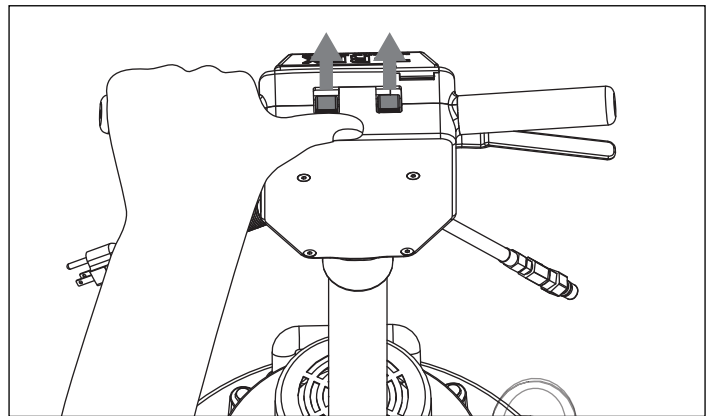
### 2.4 - Lowering the Handle



Lower the handle to a comfortable height by squeezing the adjustment lever on the left side of the handle and moving the handle down. Release the lever to lock the handle into place.

It is recommended the handle be set to about hip height when the head is flush with the ground for operation. ♦

### 2.5 - Switching on the T-Rex

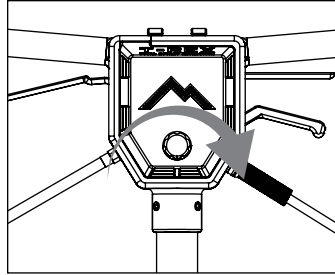


Lift up on the handle so the cleaning head is flush with the carpet and the wheels are off the ground. Flip the safety lockout switch forward with your thumb and squeeze the power switch lever on the left side of the handle to start the motor. You can now let go of the safety lockout switch.

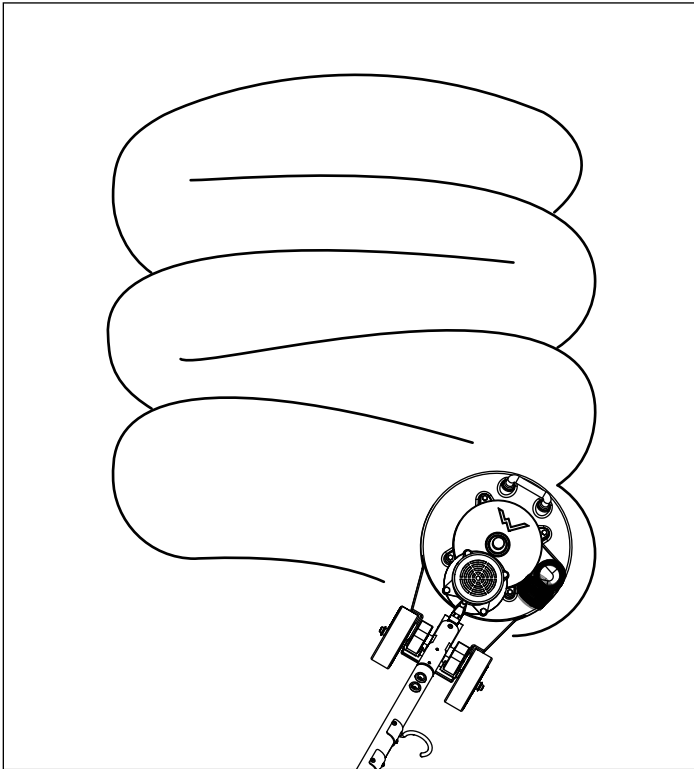


## 2 - Machine Operation

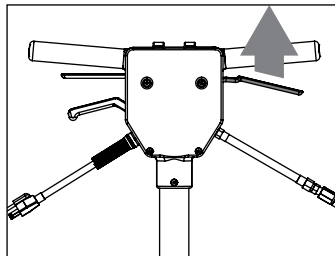
It may be easiest to set the motor speed to the lowest setting using the knob on the front of the handle before switching the machine on. ♦



### 2.6 - Cleaning with the T-Rex



When operating, the T-Rex will stay in one spot while spinning as long as the head is flush against the carpet. To swing the head to the right, lift the handle up slightly. To swing to the left, lower the handle slightly.



To spray solution, squeeze the solution lever on the right side of the handle.

For best results, clean using an arc pattern or a circular

motion. ♦

### 2.7 - After Cleaning

After cleaning, switch off the T-Rex by releasing the power switch lever.

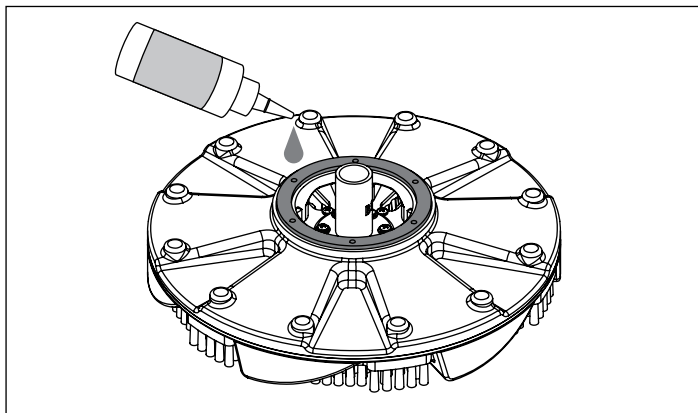
Remove any built up fibers or debris from the cleaning head and wipe down. Store the T-Rex in the included protective head cover to protect the cleaning head from damage. ♦

# 3 - Machine Maintenance

In order to keep the T-Rex running smoothly and reduce the risk of damage to the machine and subsequent downtime, Mytee recommends following the maintenance schedule below:

Maintenance Item	Daily	Weekly
Inspect cords and hoses for breaks or tears. Replace any damaged items.	X	
Visually inspect machine for damage to cleaning heads, etc. Repair as necessary.	X	
Clean machine with an all purpose cleaner and damp cloth.	X	
Check the spray jets for even spray.	X	
Make sure felt vacuum seal is well lubricated.	X	
Wash the cleaning head and housing thoroughly, being sure not to wet the motor assembly. Clean any lint buildup from the star and vacuum heads.		X
Clean off any debris that is on the shaft of the motor or the hub of the cleaning head. If not cleaned regularly, debris here can damage the oil seal on the gearbox, and result in loss of oil.  <b>WARNING: Operating the unit without the gearbox properly lubricated can result in damage.</b>		X
Coat the shaft with WD40 or a similar lubricant.  <b>WARNING: When reinstalling the cleaning head, make sure that it spins freely. If it begins to require pressure, unscrew it and clean threads. Dirt or grit can block the threads, and if you continue to tighten, may lock the star on the motor shaft.</b>		X

## 3.1 - Lubricating the Felt Vacuum Seal



It is important to keep the felt vacuum seal lubricated thoroughly so as to reduce friction and ensure a tight vacuum seal. Use the included SuperLube® (part number PH648) to saturate the felt seal thoroughly as often as possible. ♦

## 4 - Troubleshooting

<b>Motor fan is spinning but cleaning head is not.</b>	
Possible Cause	Solution
Pinion gear has broken.	Replace the pinion gear. (Part #H129)

<b>Machine power is powering the control board, but unit will not run.</b>	
Possible Causes	Solutions
A power cord could be disconnected.	Check all cord connections, including the cord plug connections at the motor.
Activation microswitch (Part #H167) is faulty, or out of adjustment.	Replace activation microswitch.
Speed potentiometer (Part #E363A) is faulty.	Replace speed potentiometer.

<b>The release lever for adjusting the handle angle sticks.</b>	
Possible Causes	Solutions
Handle plunger gear may stick to the gear rack. This is due to the texture of each mating part causing friction. With use, the textures are smoothed.	Shake the handle, while pulling the release lever. Light application of dry lubricant afterward may be helpful. This situation happens rarely, and usually only once or twice, when unit is new

<b>Cleaning unit head seems to rotate slower than normal or motor is getting abnormally hot.</b>	
Possible Cause	Solution
Felt vacuum seal ring is not properly lubricated.	Saturate felt vacuum seal with included SuperLube® (Part #PH648) or 30 wt SAE motor oil. Apply oil until near saturated, but not dripping.

<b>Perceptible loss of vacuum.</b>	
Possible Causes	Solutions
Check that the felt vacuum seal in head is not worn, crushed, or dry.	Replace felt vacuum seal (Part #G014). Lubricate new seal before installation.

<b>Motor smokes, sparks, cycles power, or has a substantial decrease in power.</b>	
Possible Causes	Solutions
Motor carbon brushes are likely worn.	Replace motor carbon brushes immediately (Part #C311-BMK).

# NOTES



**Mytee, LLC**  
13655 Stowe Dr.  
Poway, CA 92064  
[www.mytee.com](http://www.mytee.com)  
© 2022 Mytee, LLC  
Printed in the USA